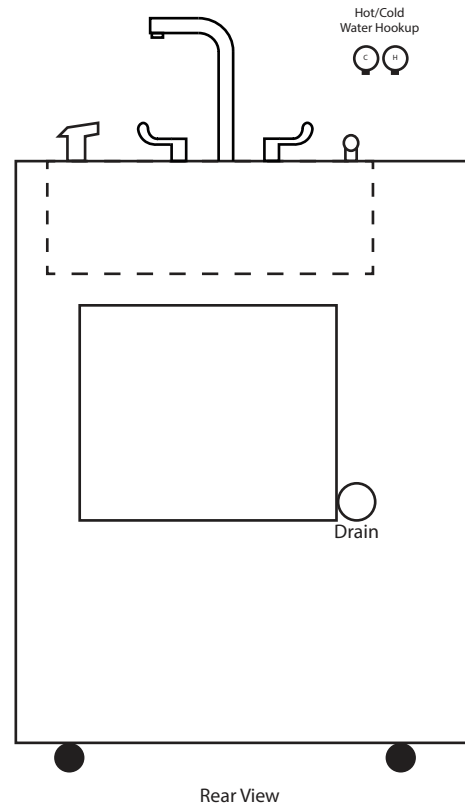
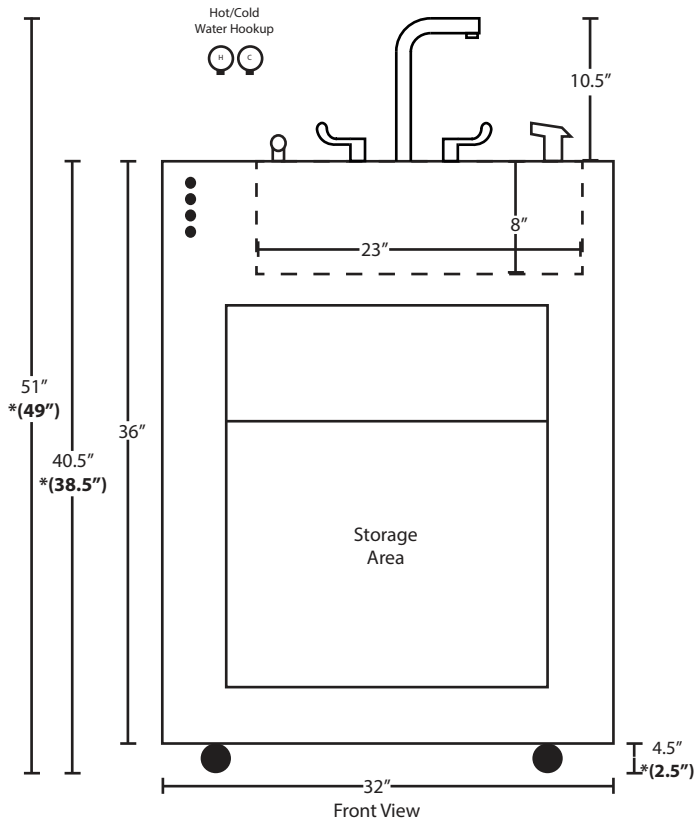
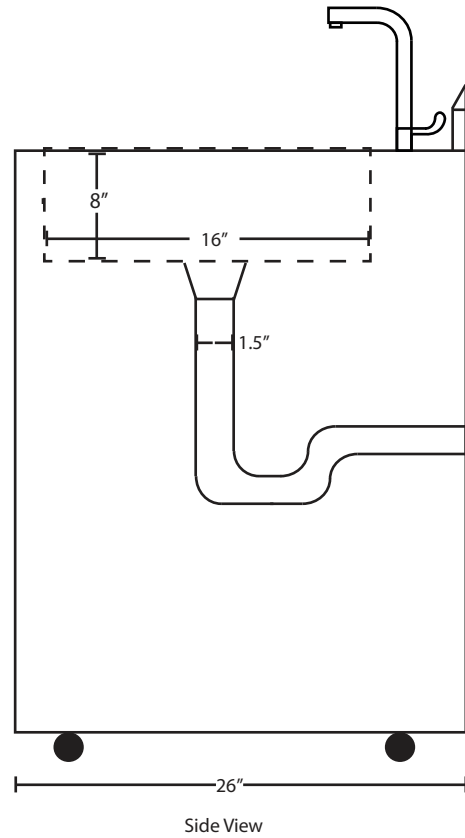
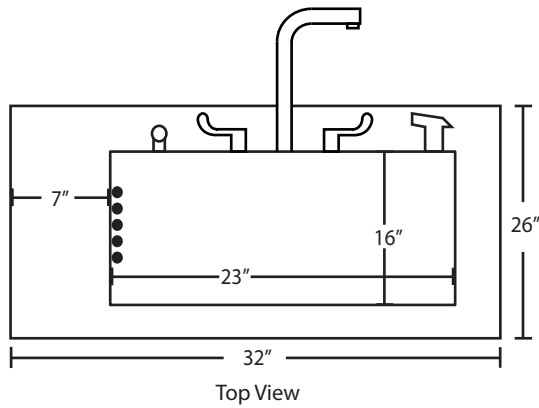


RM Medical Designs

RM-S1Sink Specification Sheet



*Measurements inside parenthesis are for the **RM-S1B** model which is available upon request. The RM-S1B is ideal for smaller spaces.